

saheco

SINCRO SV-A80

Po igono Industrial Foradada - 08580 - Sant Quirze de Besora (Barcelona)

Tel. 34-93.852.92.23, Fax. 34-93.852.91.59

Export. Telf. 34-93.852.96.15, Fax. 34-93.852.91.76

e-mail: saheco@saheco.com







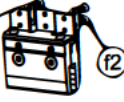







web: www.saheco.com

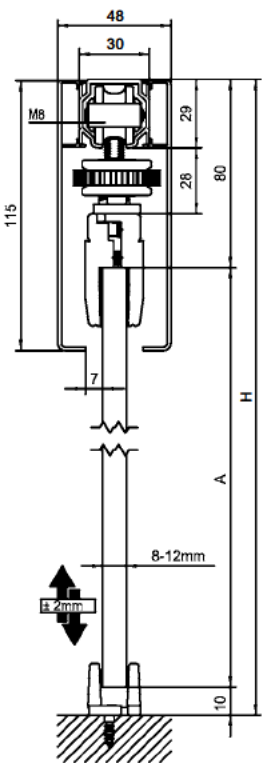
**GRUPO
TORREMAT**



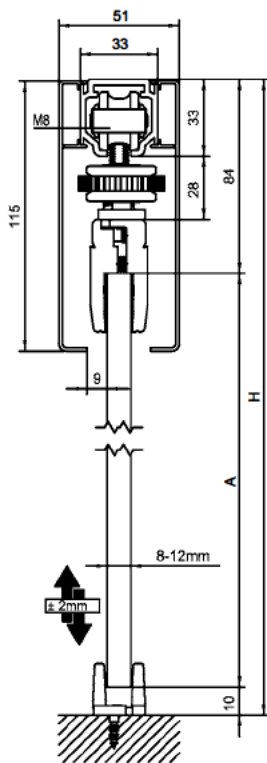
09-2016

038060122

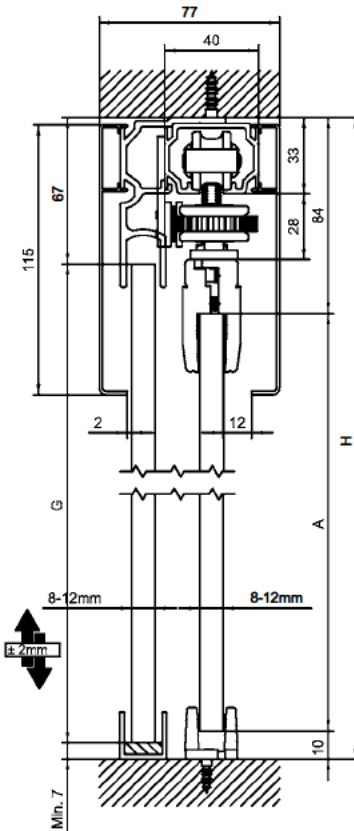
10114					
(a)	  M8X50	4	(e)	 	1
(b)		4	(f)	 	1
(c)		2	(g)		2
(d)		1	(h)		3
(w)		1	(i)		1
			(j)		2



[A=H-90]

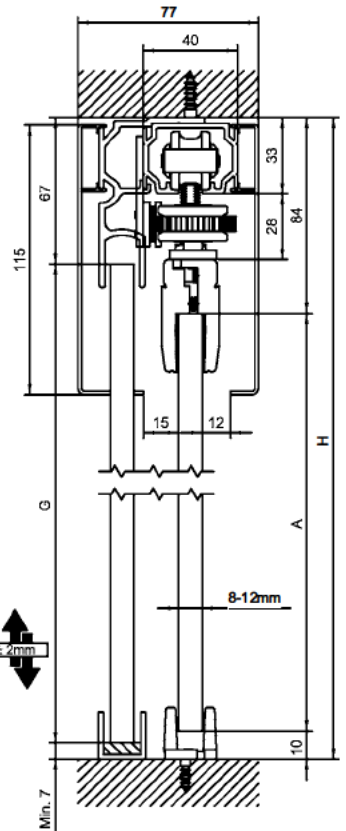


[A=H-94]



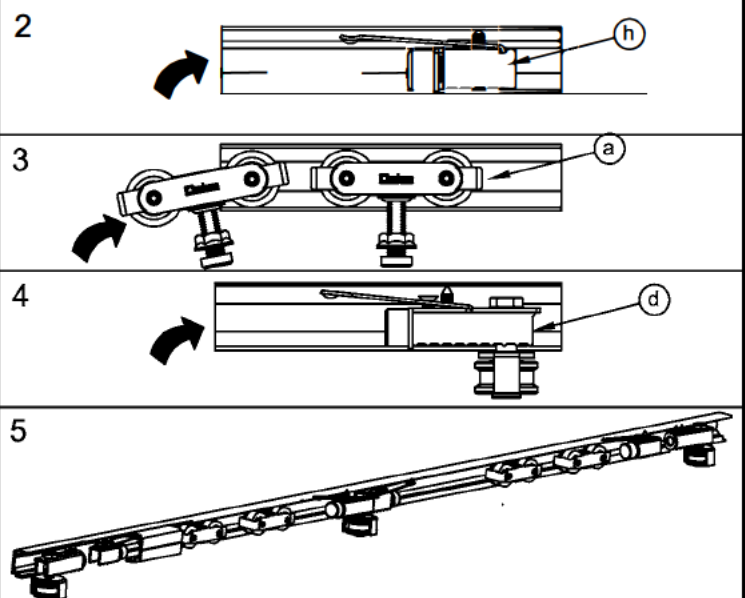
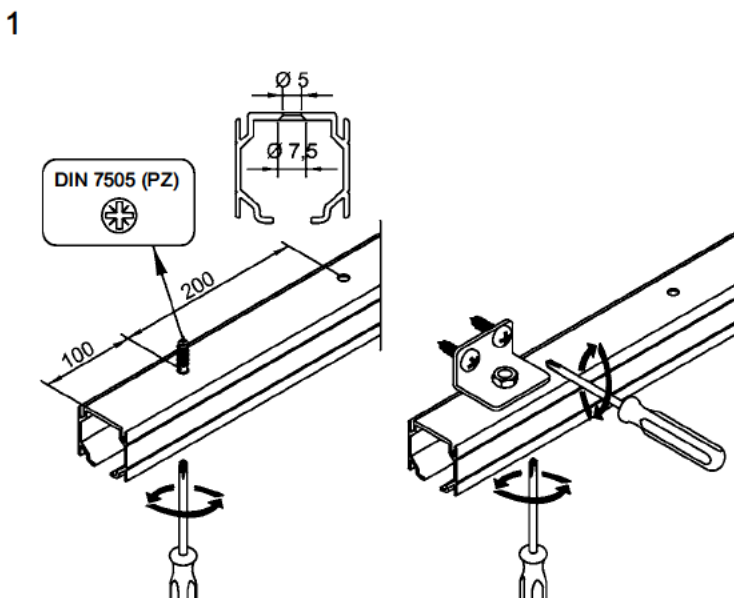
[A=H-94]

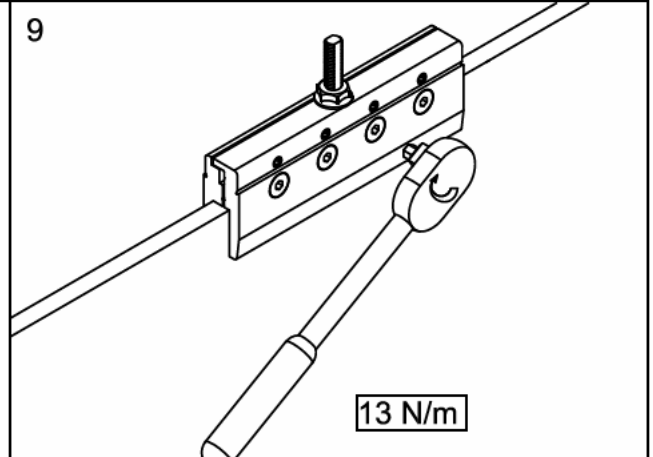
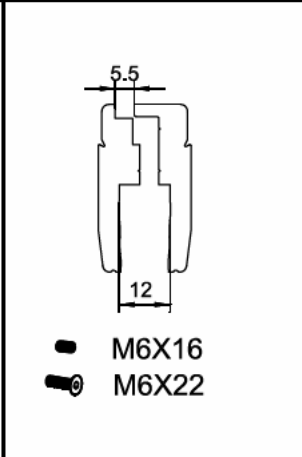
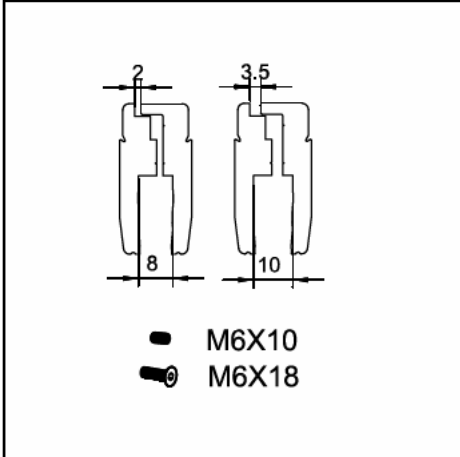
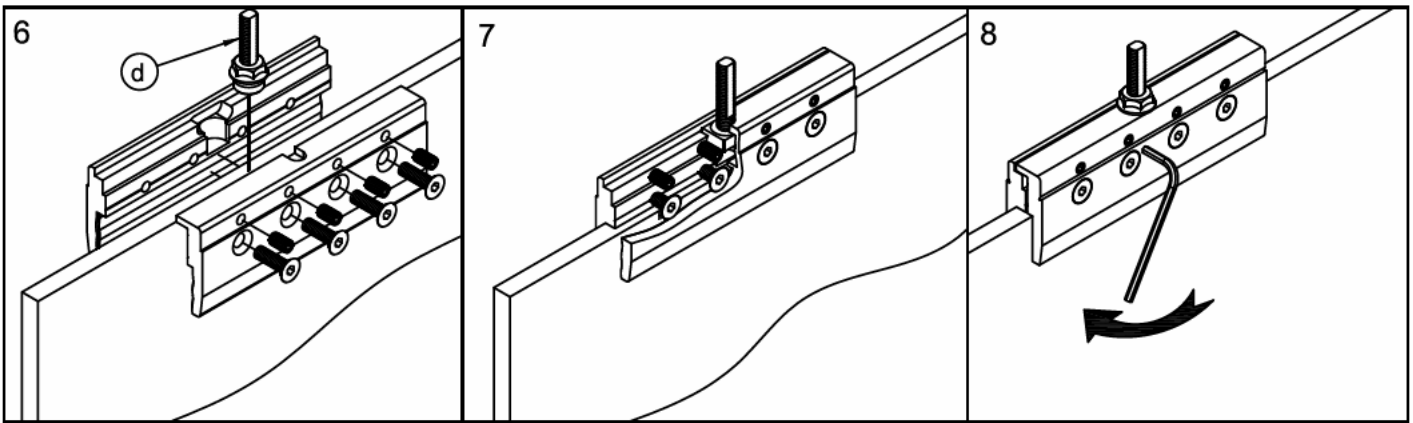
[G=H-74]



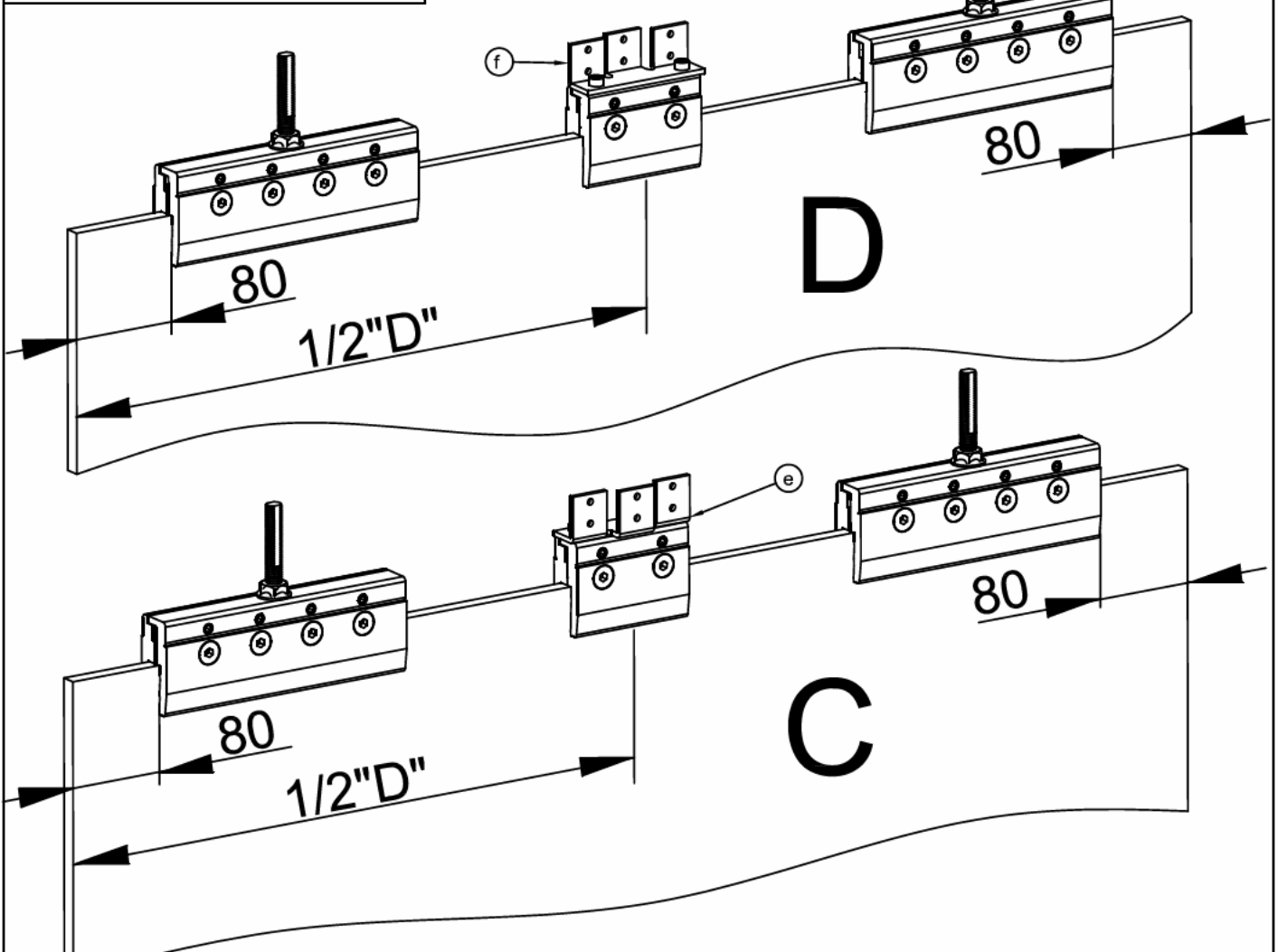
[A=H-94]

[G=H-74]

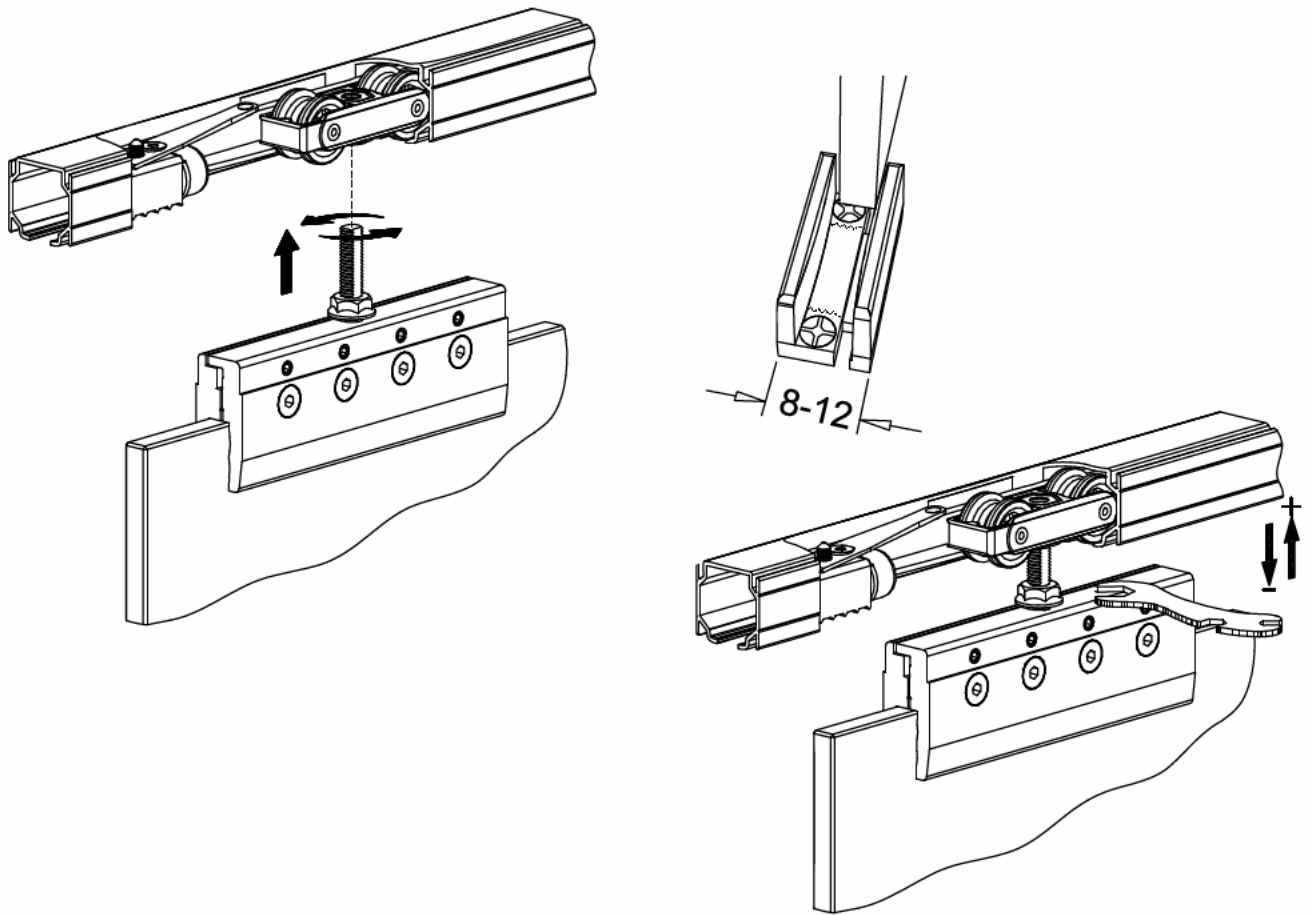




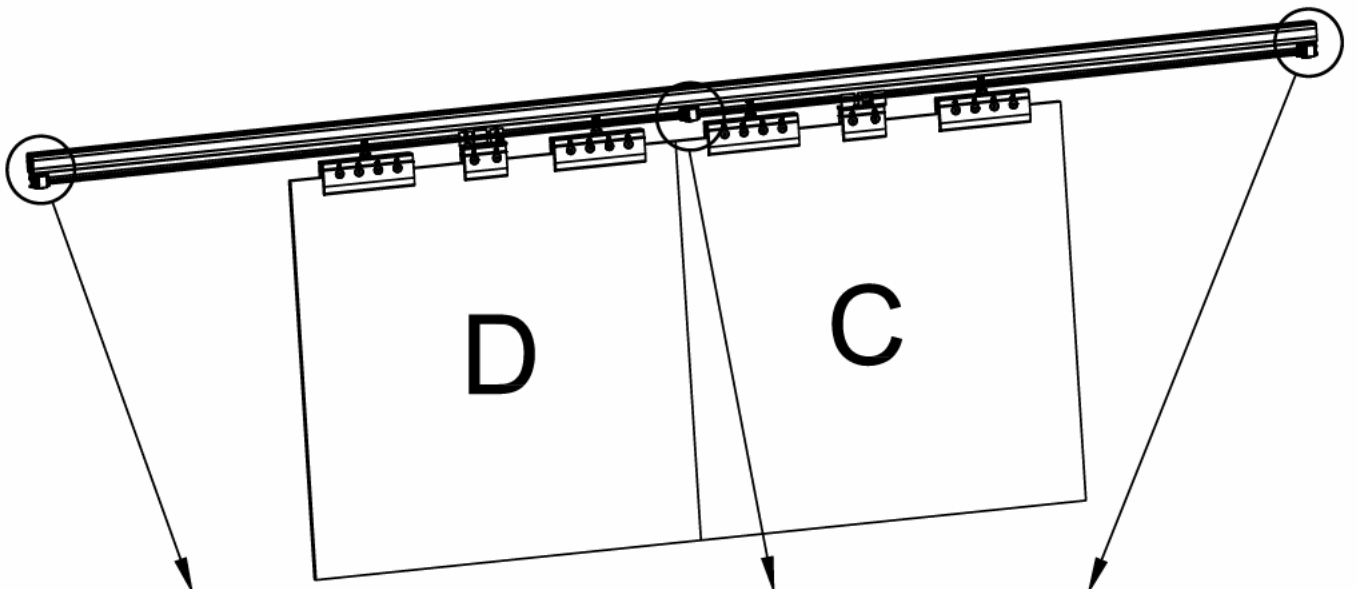
Posicion Pinzas en las Hojas
 Clamps Situation on sheets
 Situation pinces dans les portes



11



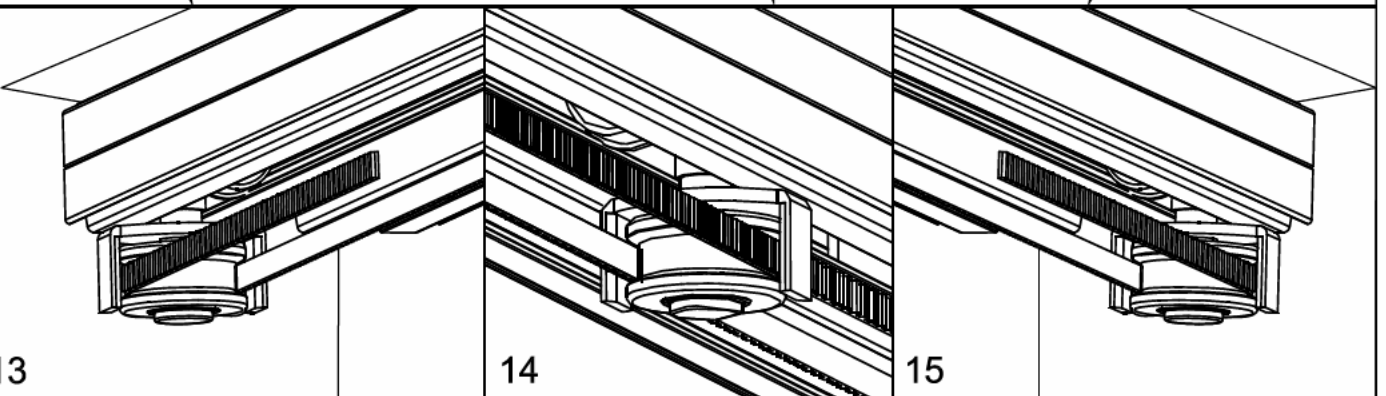
12



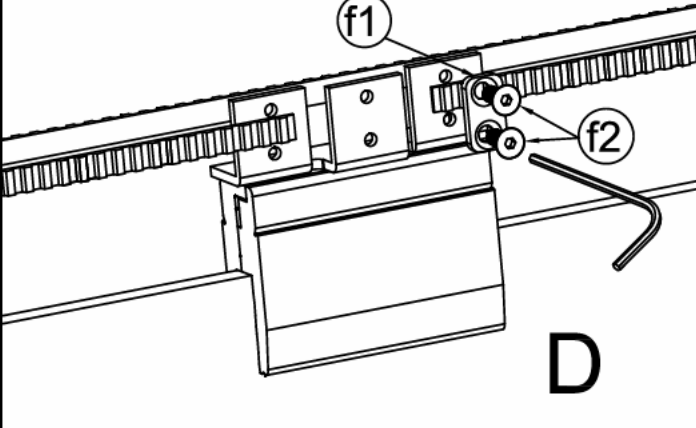
13

14

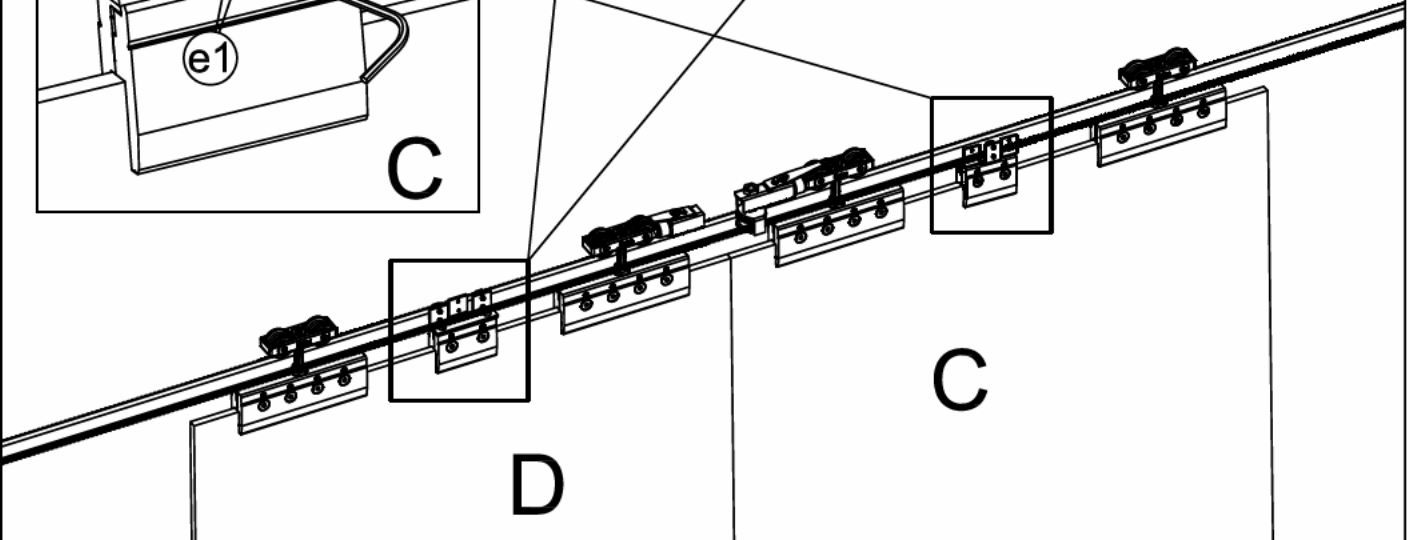
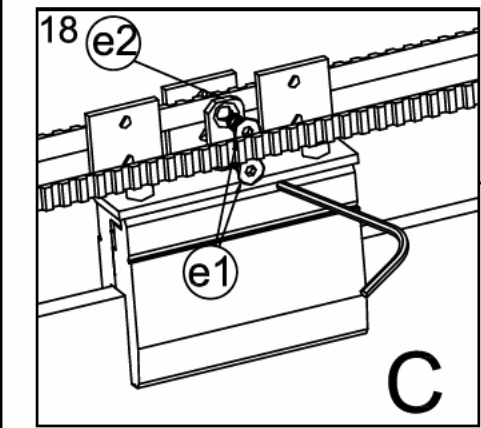
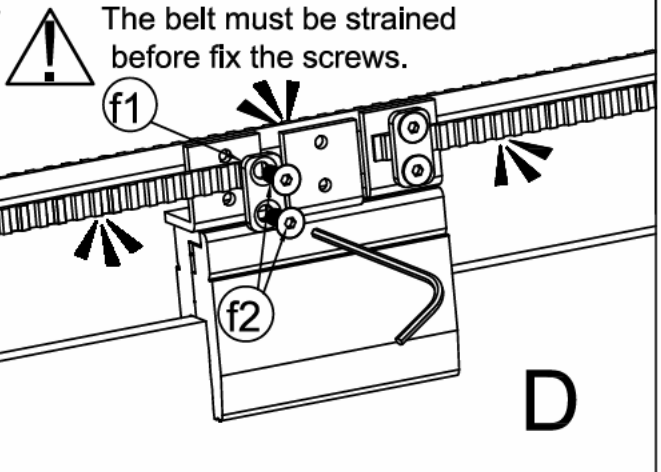
15



16



17



19

