

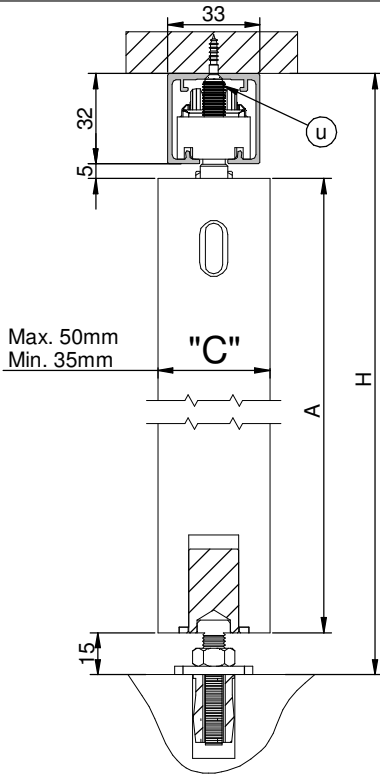


Ref. 00 88 01



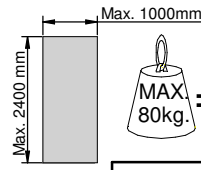
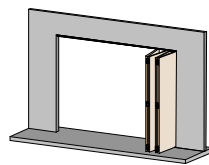
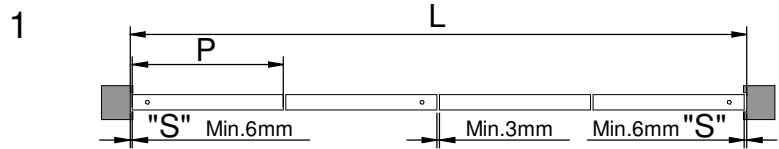
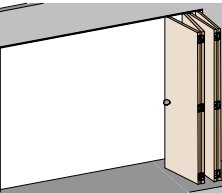
2x Ref. 00 88 02

z		1	s		2
y		1	r		2
x		1	v	 Din 7505 3,5x40	8
w		1	p		2
v	 Din 7505 3,5x40	8	m		1
u	 Din 913 M8x25	2	n	 Din 7505 4,5x50	2
vt		2	p		1
			t		1



2

$$A = H - 53$$



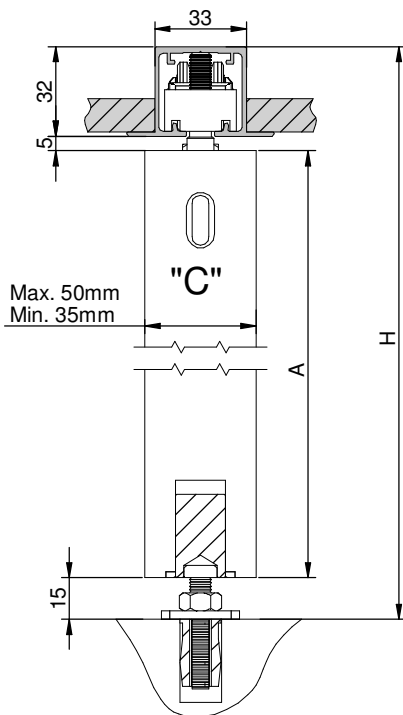
40Kg. x pannel

$$P = \frac{L - (2 \times S) - 9}{4}$$

"C"	"S"
35-40	6mm
40-45	7mm
45-50	8mm

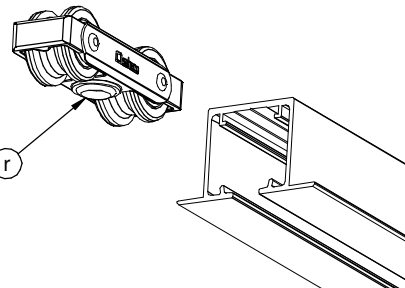
L = Ancho de luz total / Overall width / Lagueur total
 P = Ancho de la hoja / Leaf width / Large Feuilles

3

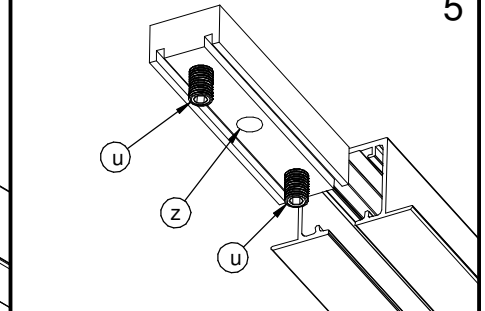


$$A = H - 53$$

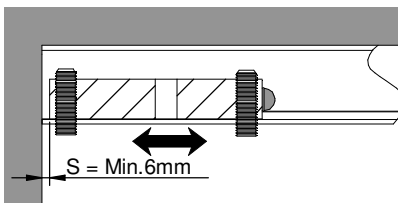
4



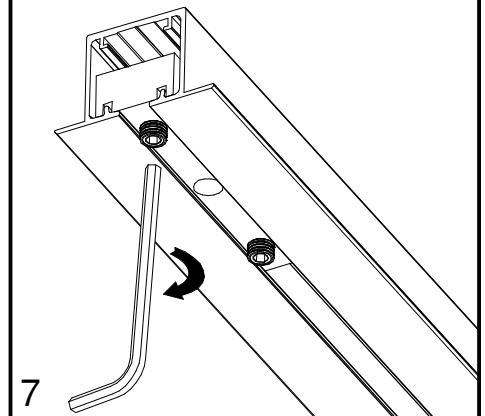
5



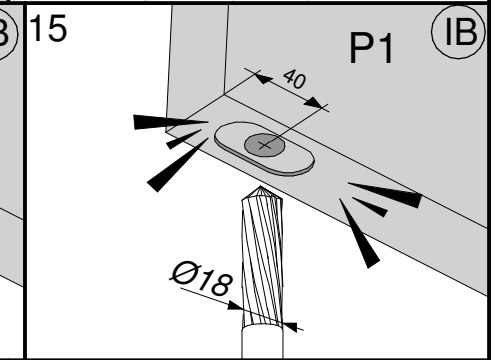
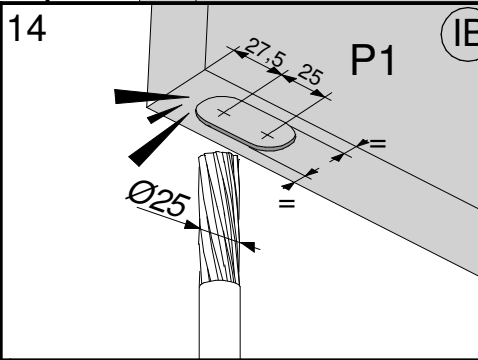
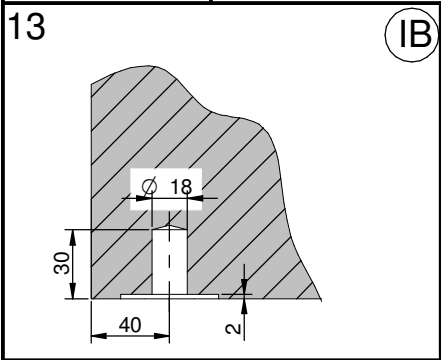
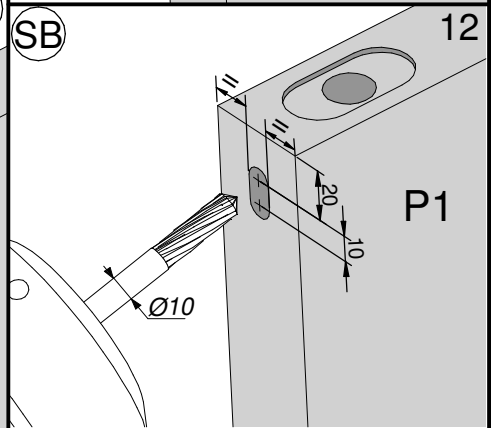
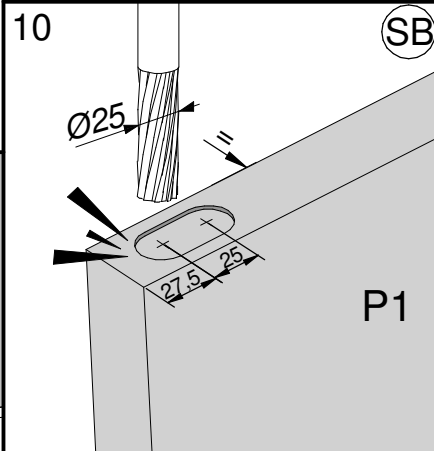
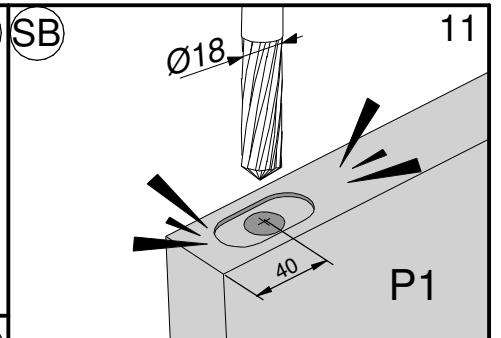
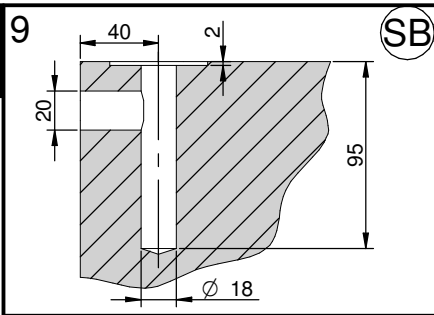
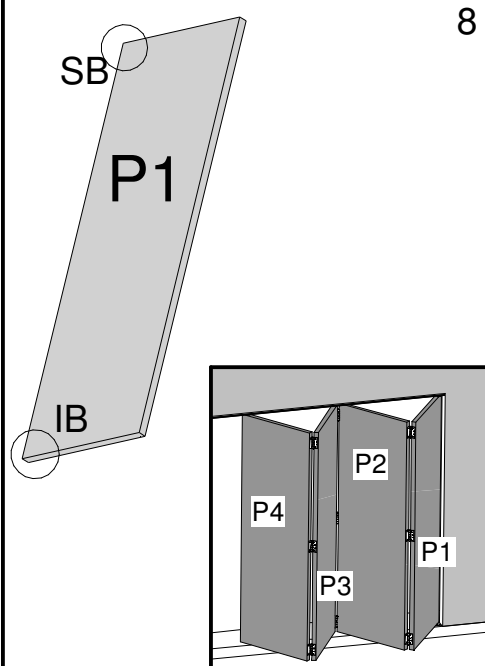
6



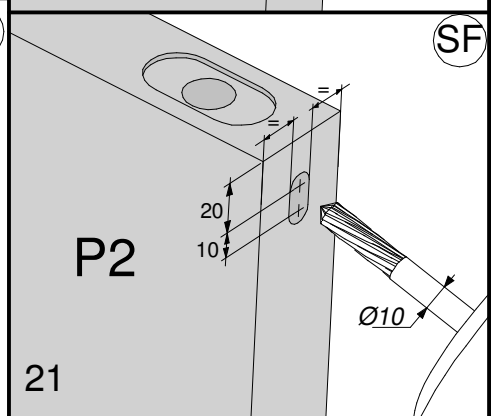
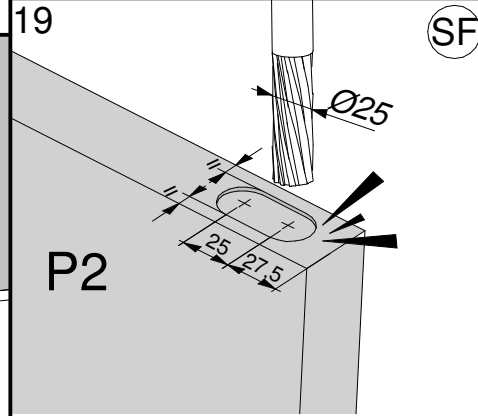
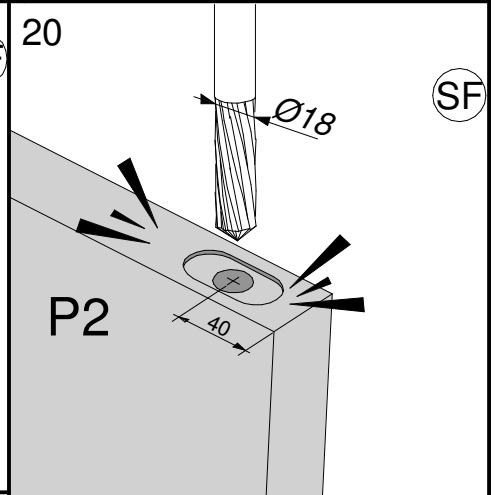
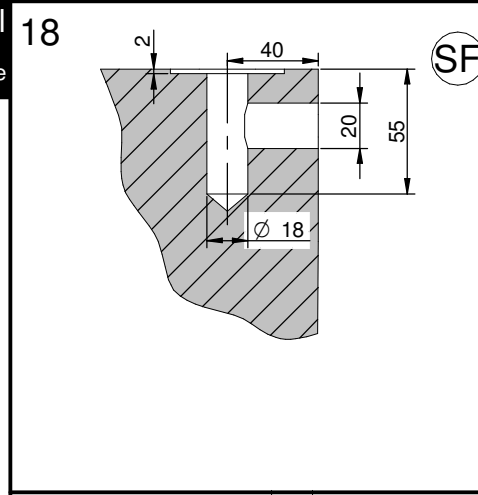
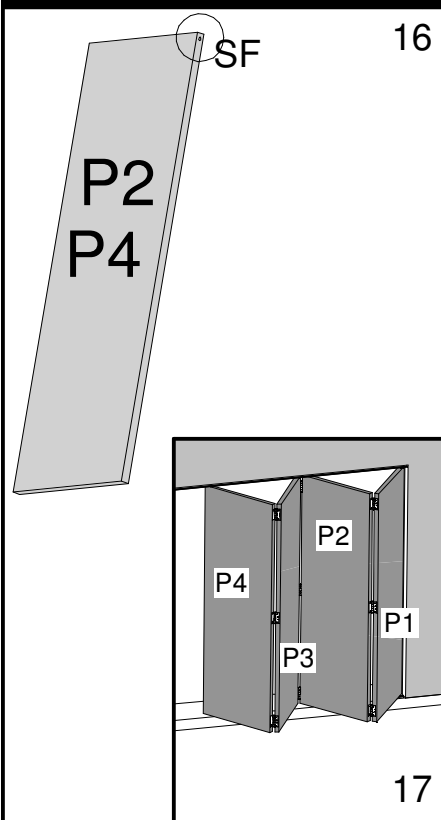
7



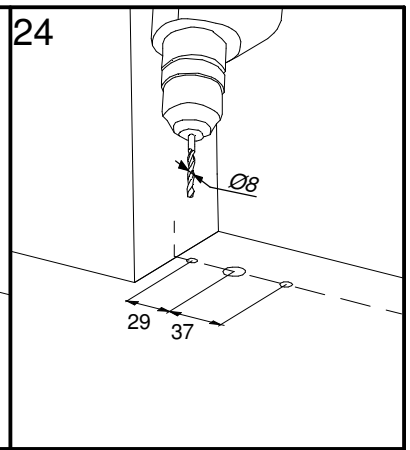
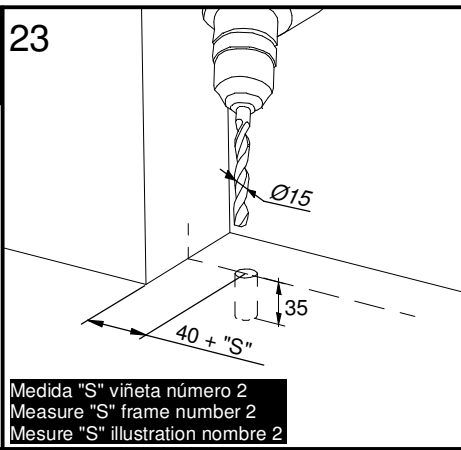
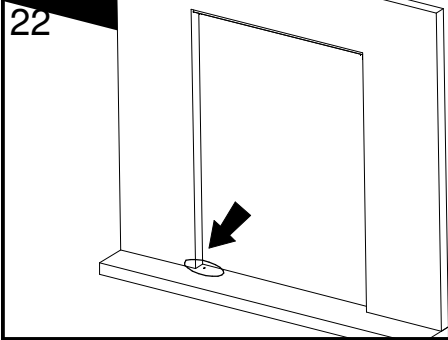
Mecanizados hoja batiente
 Swing Sheet mechanization
 Mécanisés panneau battante



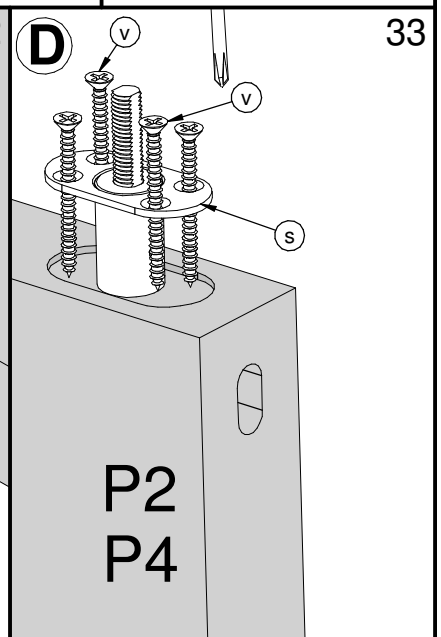
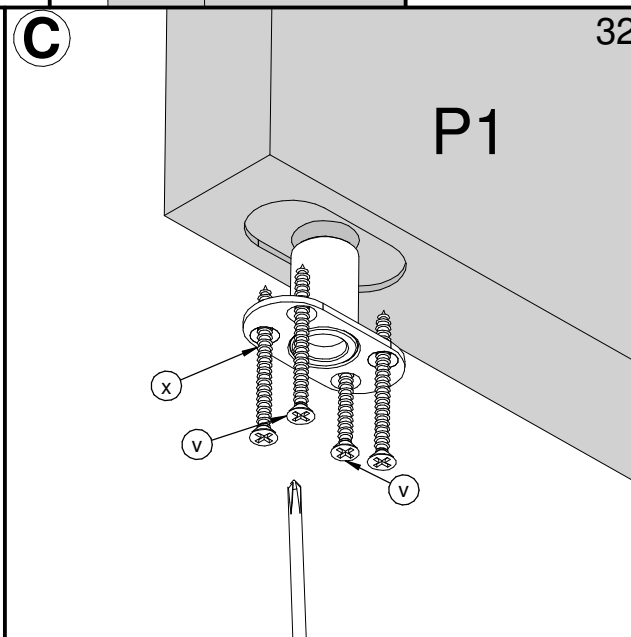
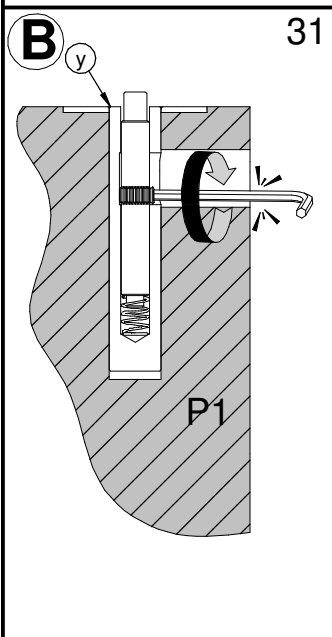
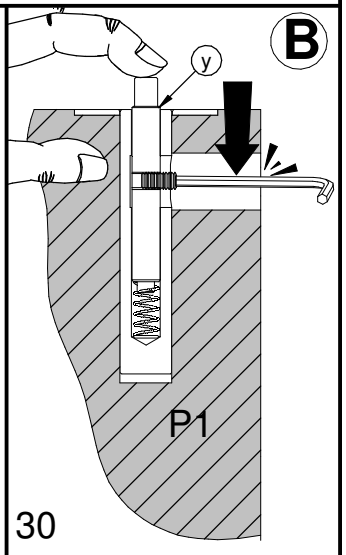
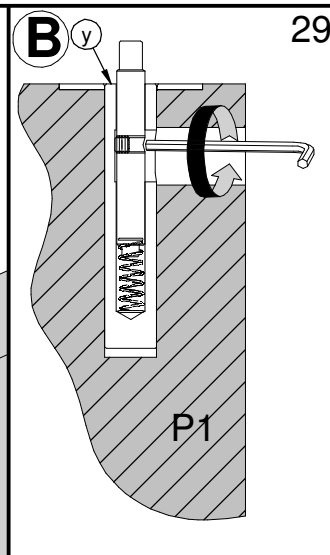
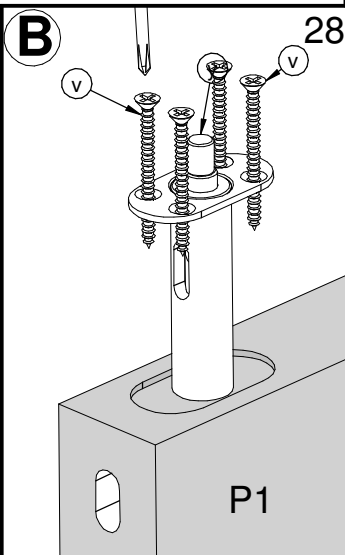
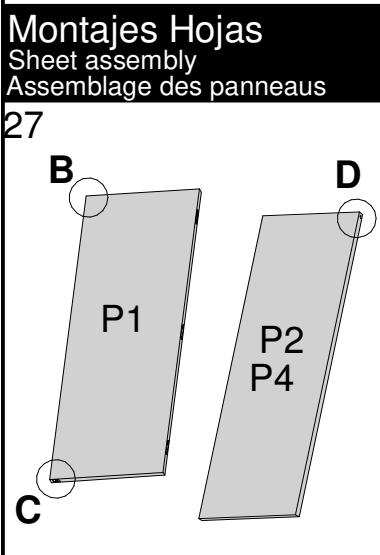
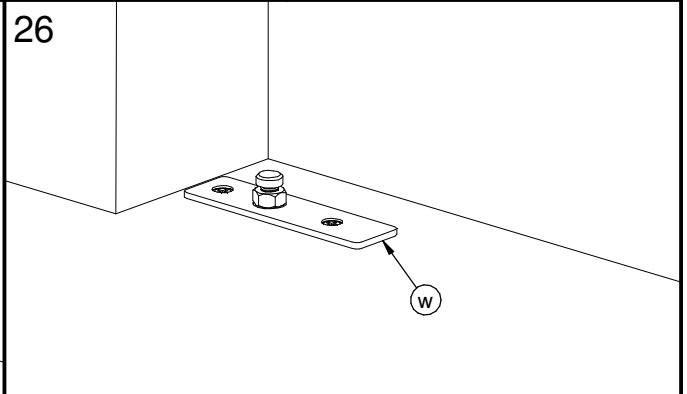
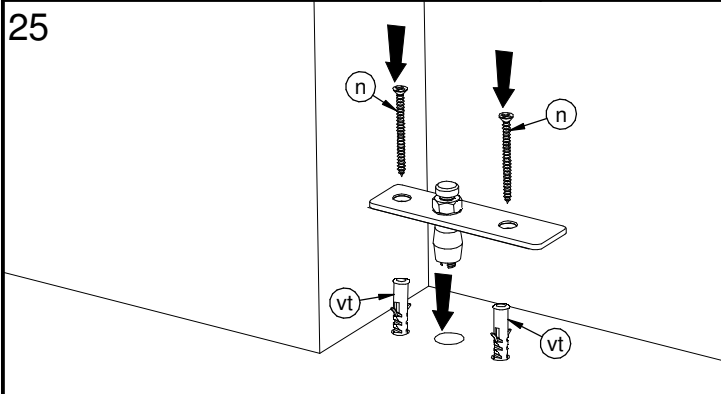
Mecanizado hoja 2 y hoja Final
 Mechanization of 2nd sheet & final sheet
 Mécanisation de panneau 2 et panneau finale

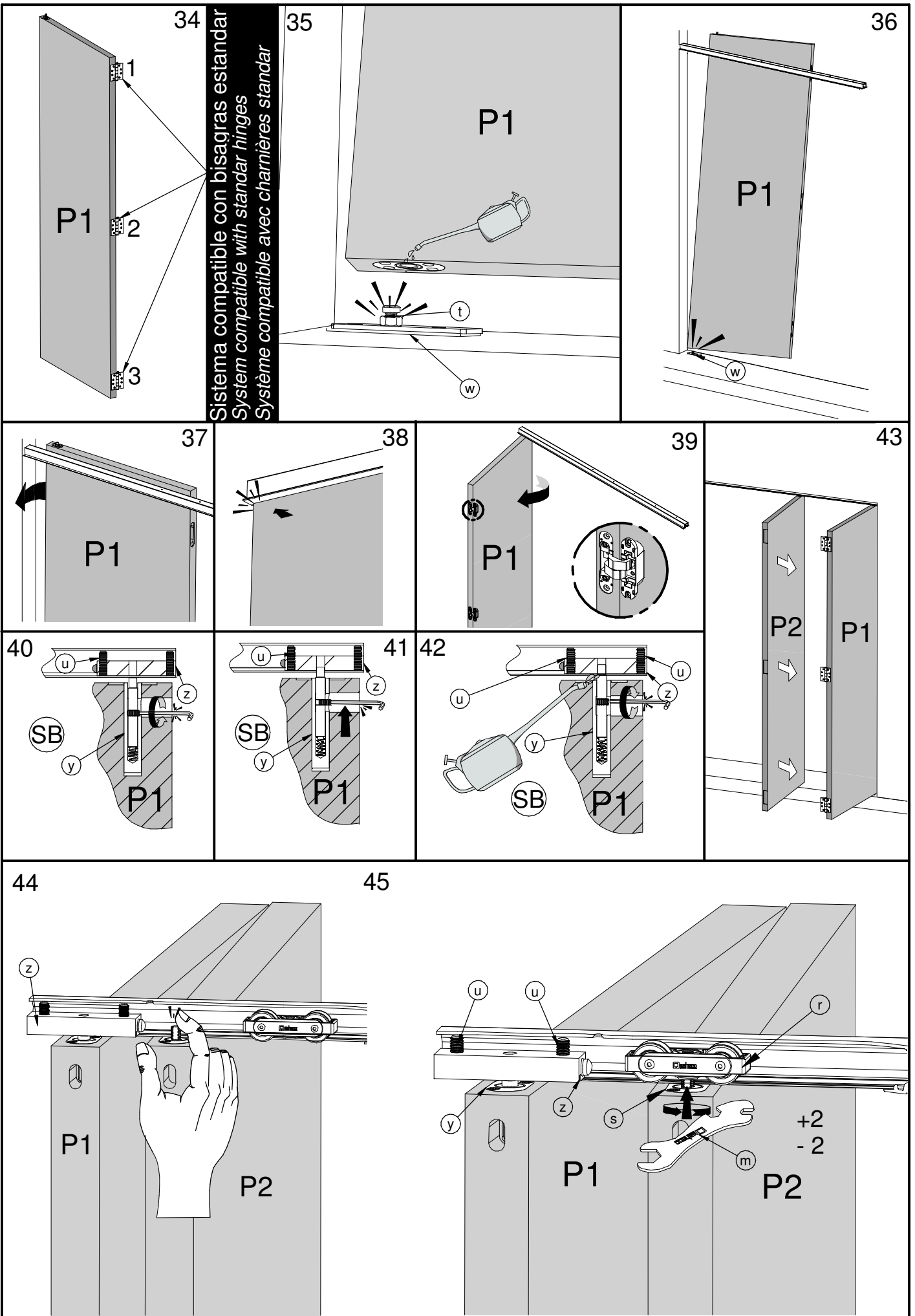


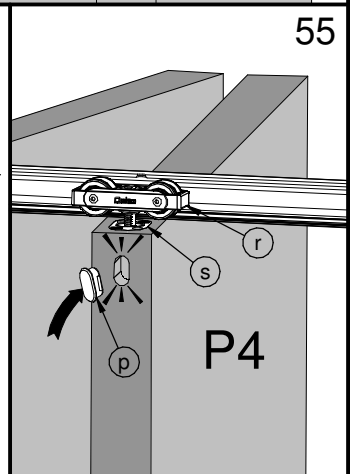
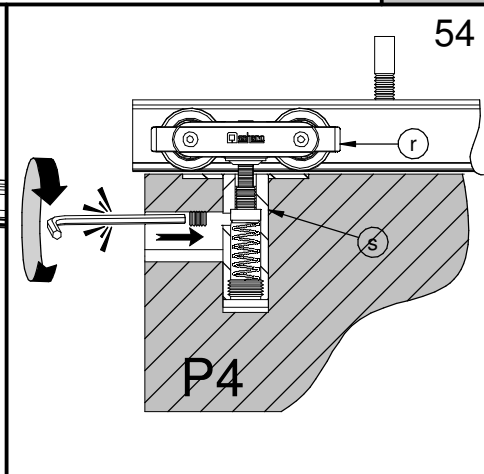
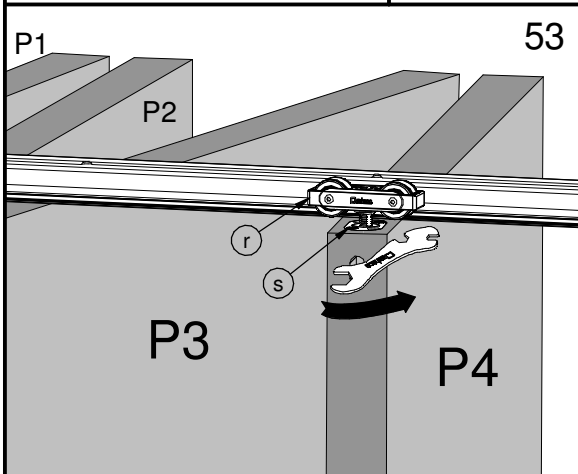
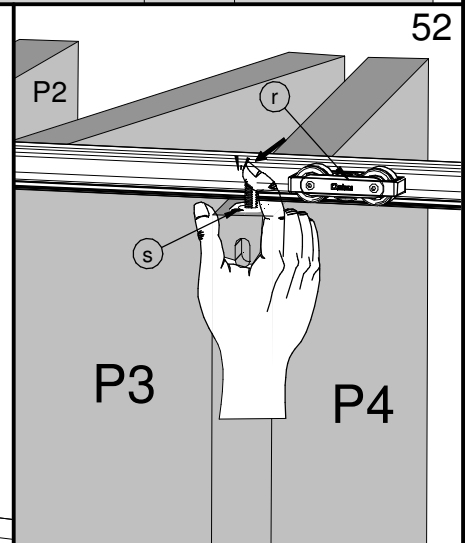
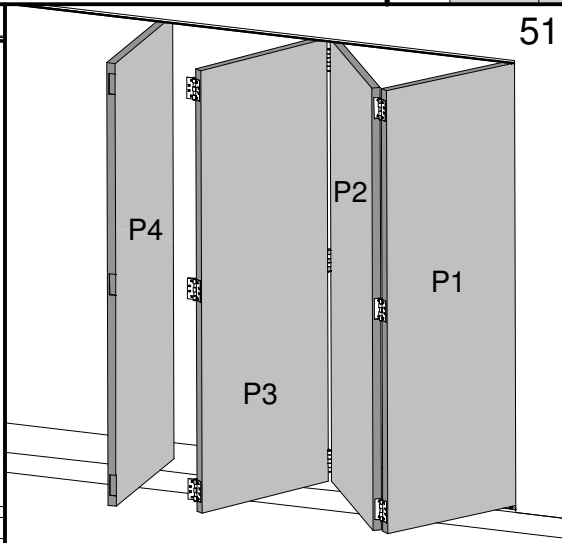
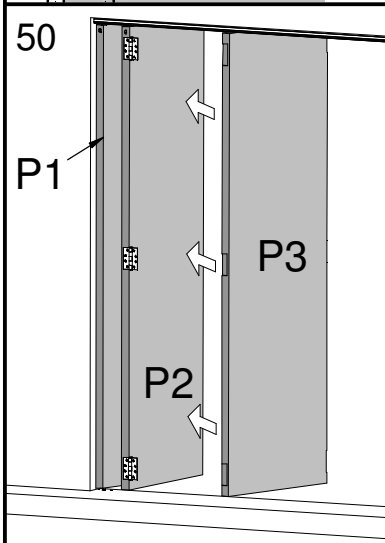
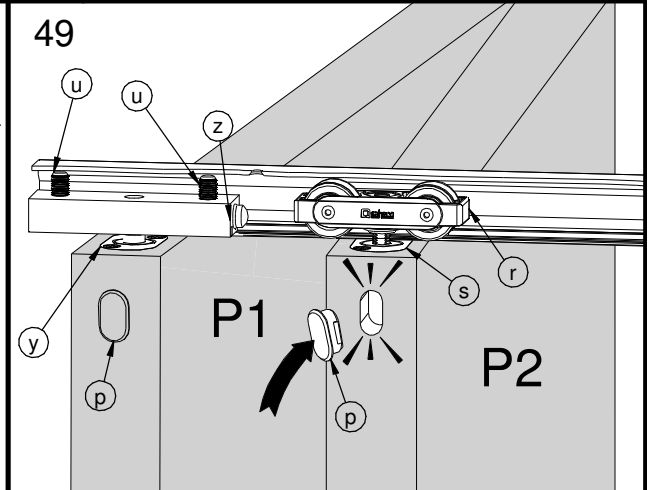
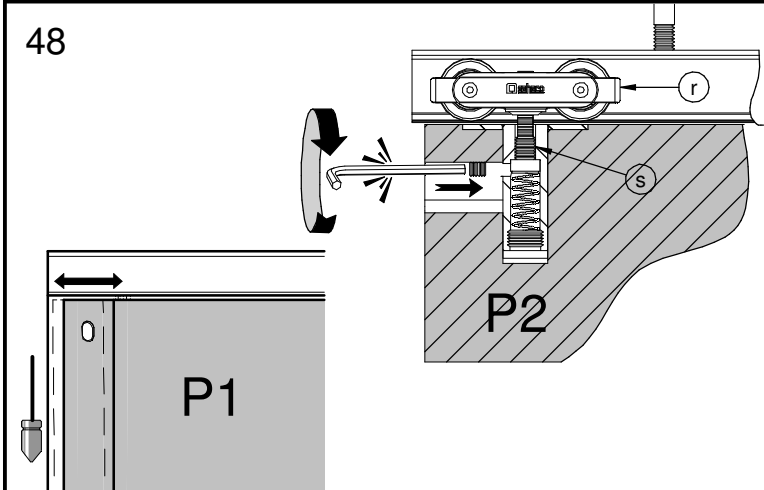
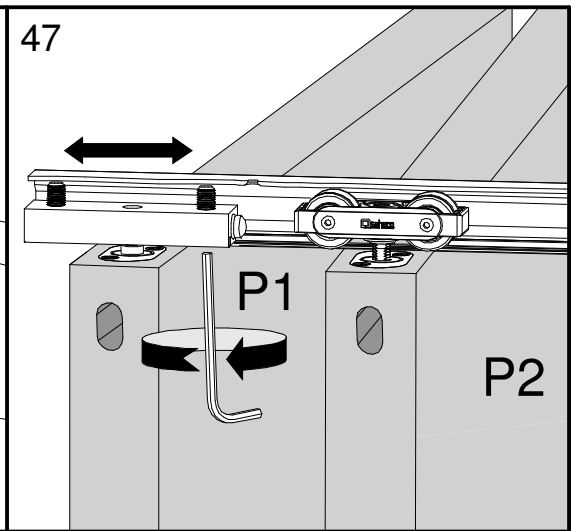
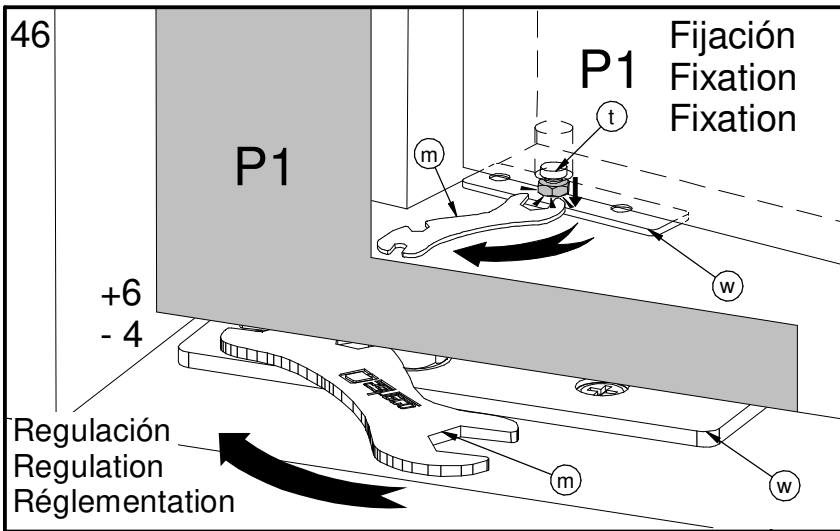
Mecanizado Soporte Inferior
Mechanization of Lower support
Mécánisation du Support inférieur



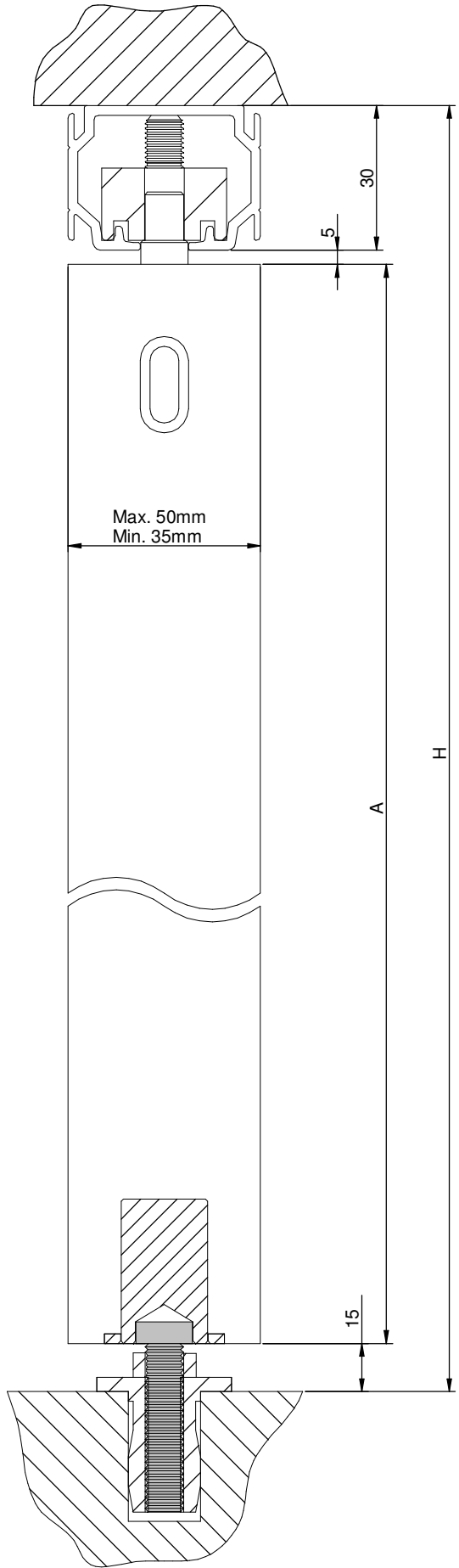
Medida "S" viñeta número 2
Measure "S" frame number 2
Mesure "S" illustration nombre 2







56



$$A = H - 50$$

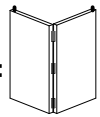
35-40	6mm
40-45	7mm
45-50	8mm

$P = \frac{L - (2 \times S) - 9}{4}$

L = Ancho de luz total / Overall width / Lagueur total
 P = Ancho de la hoja / Leaf width / Large Feuilles

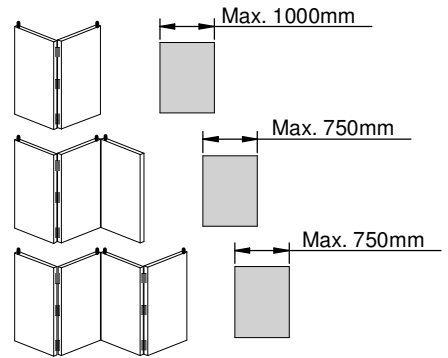
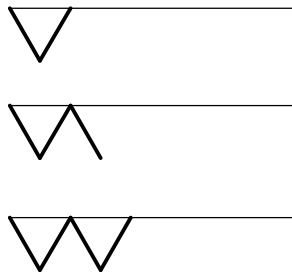
VARIANTES DE INSTALACIÓN
 INSTALLATION VARIANTS
 VARIANTES DE MONTAGE

FORMULARIOS PARA SISTEMAS
 SYSTEMS FORMULARYS
 FORMULAIRES POUR SYSTÈMES



40Kg. x pannel

35-40	6mm
40-45	7mm
45-50	8mm

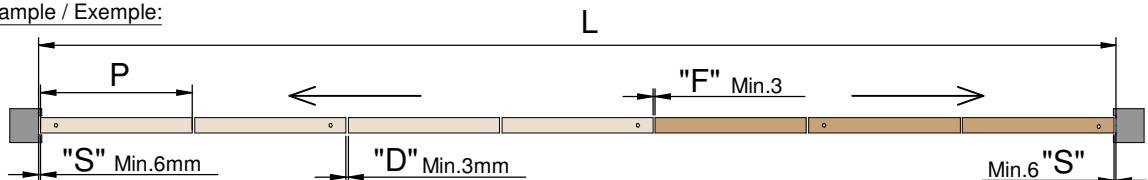


	$P = \frac{L - (2xS) - (2xD)}{3}$	Max. 750mm
	$P = \frac{L - (2xS) - D - F}{3}$	Max. 1000mm
	$P = \frac{L - (2xS) - (2xD) - F}{4}$	Max. 750mm
	$P = \frac{L - (2xS) - (3xD) - F}{5}$	Max. 750mm
	$P = \frac{L - (2xS) - (4xD) - F}{6}$	Max. 750mm
	$P = \frac{L - (2xS) - (3xD)}{4}$	Max. 750mm
	$P = \frac{L - (2xS) - (3xD) - F}{5}$	Max. 750mm
	$P = \frac{L - (2xS) - (4xD) - F}{6}$	Max. 750mm
	$P = \frac{L - (2xS) - (5xD) - F}{7}$	Max. 750mm
	$P = \frac{L - (2xS) - (6xD) - F}{8}$	Max. 750mm

L = Ancho de luz total / Overall width / Lagueur total
 P = Ancho de la hoja / Leaf width / Large Feuilles
 F = Franquicia central / Central Gap / Franchise central

D = Separación bisagras / Hinges Separation / Separation charniere
 S = Franquicia inicial / Initial Gap / Franchise initiale

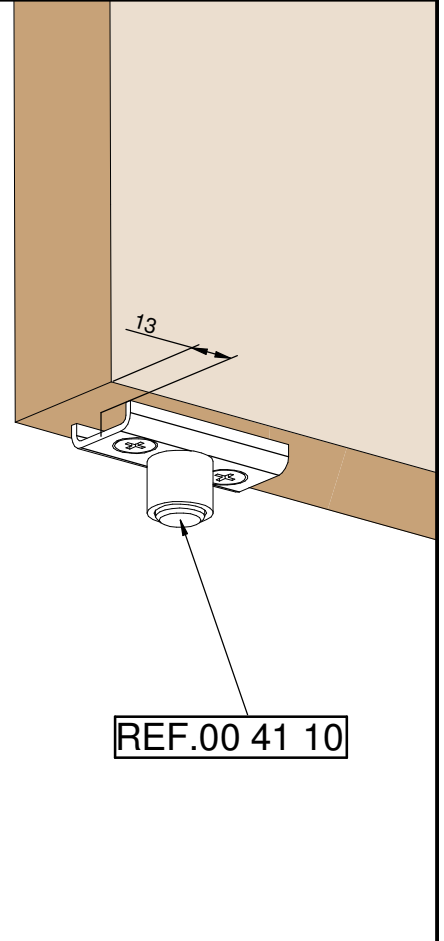
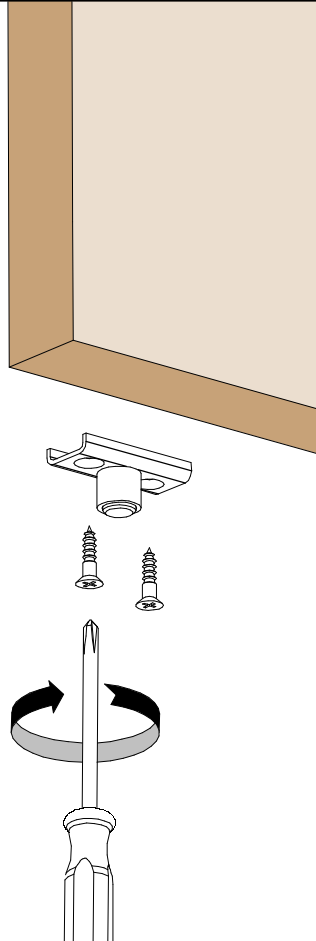
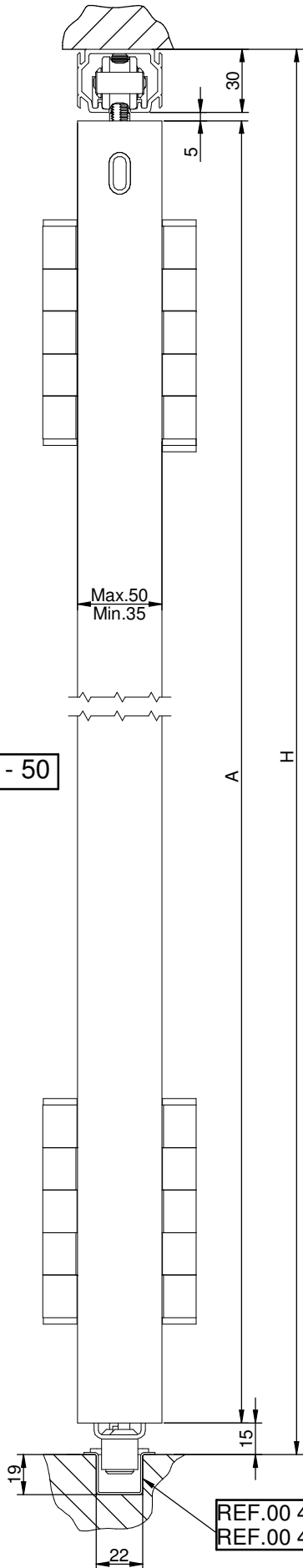
Ejemplo / Example / Exemple:



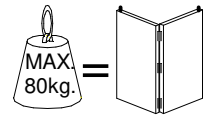
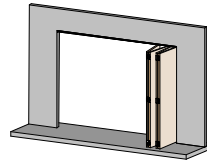
VARIANTES DE INSTALACIÓN

INSTALLATION VARIANTS
VARIANTS DE MONTAGE

* Variante con guidor inferior / Variant with lower guide /
Variant avec guide inferieur

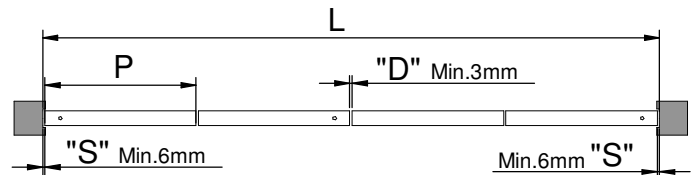
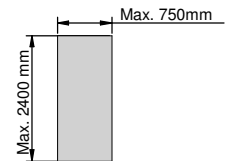


$$A = H - 50$$



40Kg. x pannel

"C"	"S"
35-40	6mm
40-45	7mm
45-50	8mm



$$P = \frac{L - (2 \times S) - (3 \times D)}{4}$$

L = Ancho de luz total / Overall width / Lagueur total
P = Ancho de la hoja / Leaf width / Large Feuilles
F = Franquicia central / Central Gap / Franchise central
D = Separación bisagras / Hinges Separation / Separation charniere
S = Franquicia inicial / Initial Gap / Franchise initiale